

FAG

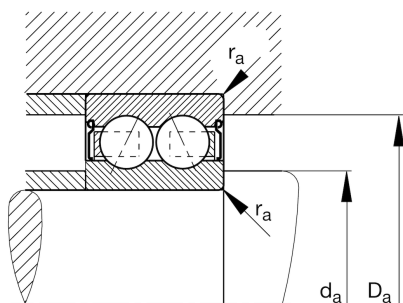
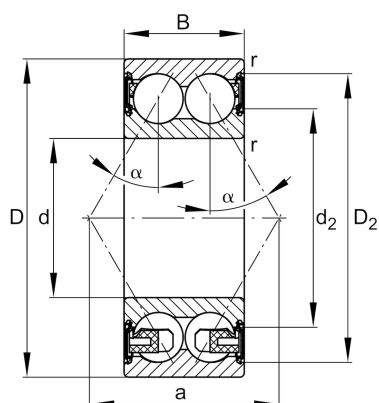
3207-BD-XL-2HRS-TVH

Angular contact ball bearing

Schaeffler ID:
0637617000000Angular contact ball bearing 32.-BD-
XL-2HRS-TVH, double row, X-life, seals,
plastic cage

X-life

Technical information



Main Dimensions & Performance Data

d	35 mm	Bore diameter
D	72 mm	Outside diameter
B	27 mm	Width
C_r	41.000 N	Basic dynamic load rating, radial
C_{0r}	30.000 N	Basic static load rating, radial
C_{ur}	2.090 N	Fatigue load limit, radial
n_G	7.600 1/min	Limiting speed
	0,44 kg	Weight

Dimensions

r_{min}	1,1 mm	Minimum chamfer dimension
D_2	65,4 mm	Caliber diameter outer ring
d_2	46,9 mm	Caliber diameter inner ring
a	42,5 mm	Distance between the apexes of the pressure cones
α	30 °	Contact angle

Mounting dimensions

$d_{a min}$	42 mm	Minimum diameter shaft shoulder
$D_{a max}$	65 mm	Maximum diameter of housing shoulder
$r_{a max}$	1 mm	Maximum fillet radius

Temperature range

T_{min}	-20 °C	Operating temperature min.
T_{max}	100 °C	Operating temperature max.